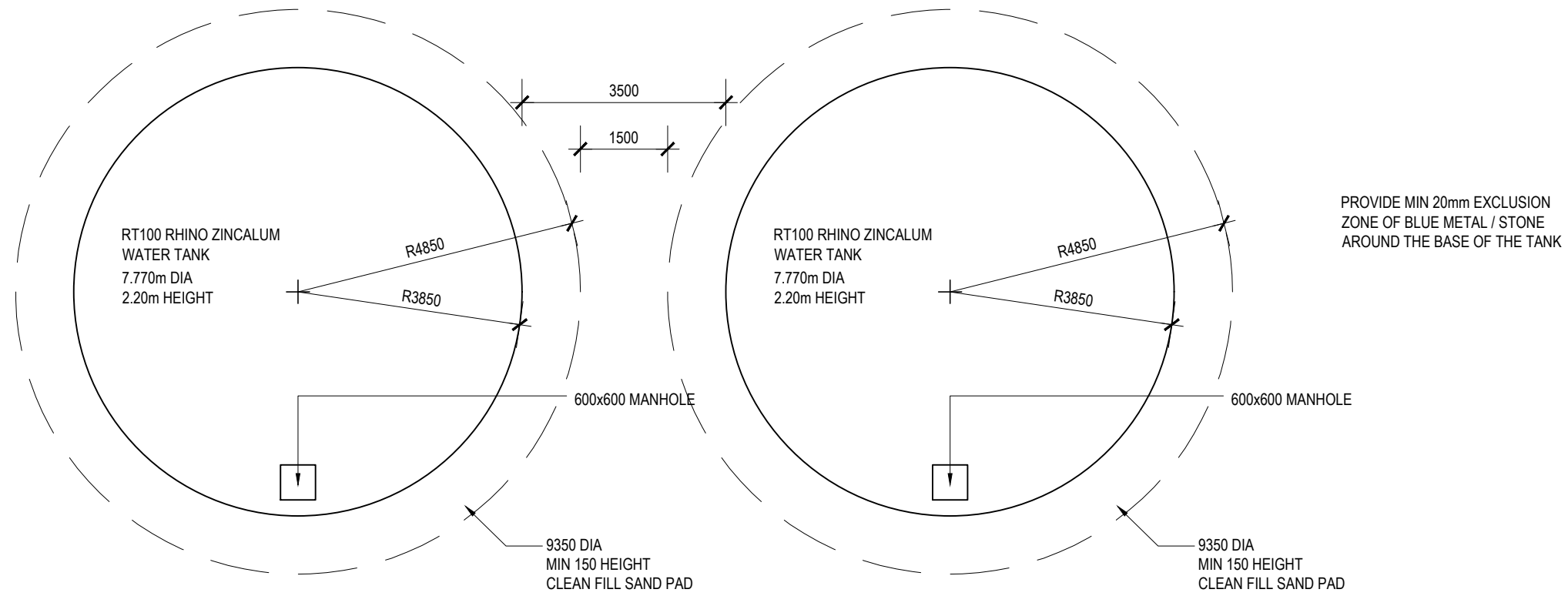


**ELEVATION - WATER TANKS**  
SCALE 1:100



**PLAN - WATER TANKS**  
SCALE 1:100

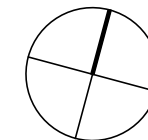
SCALE PROJECT TITLE

1:100

**GNEISS HILL ROAD, BREMER BAY**

PLAN & ELEVATIONS - WATER TANKS

SHEET 3 OF 4



**DMG**

ARCHITECTURE

LEVEL 3, SUITE 17, 23 RAILWAY ROAD, SUBIACO WA 6008  
T (08) 9212 8888 info@dmgastralia.com.au  
WWW.DMGAUSTRALIA.COM.AU

PROJECT #

24001

DRAWING #

**SK.03**